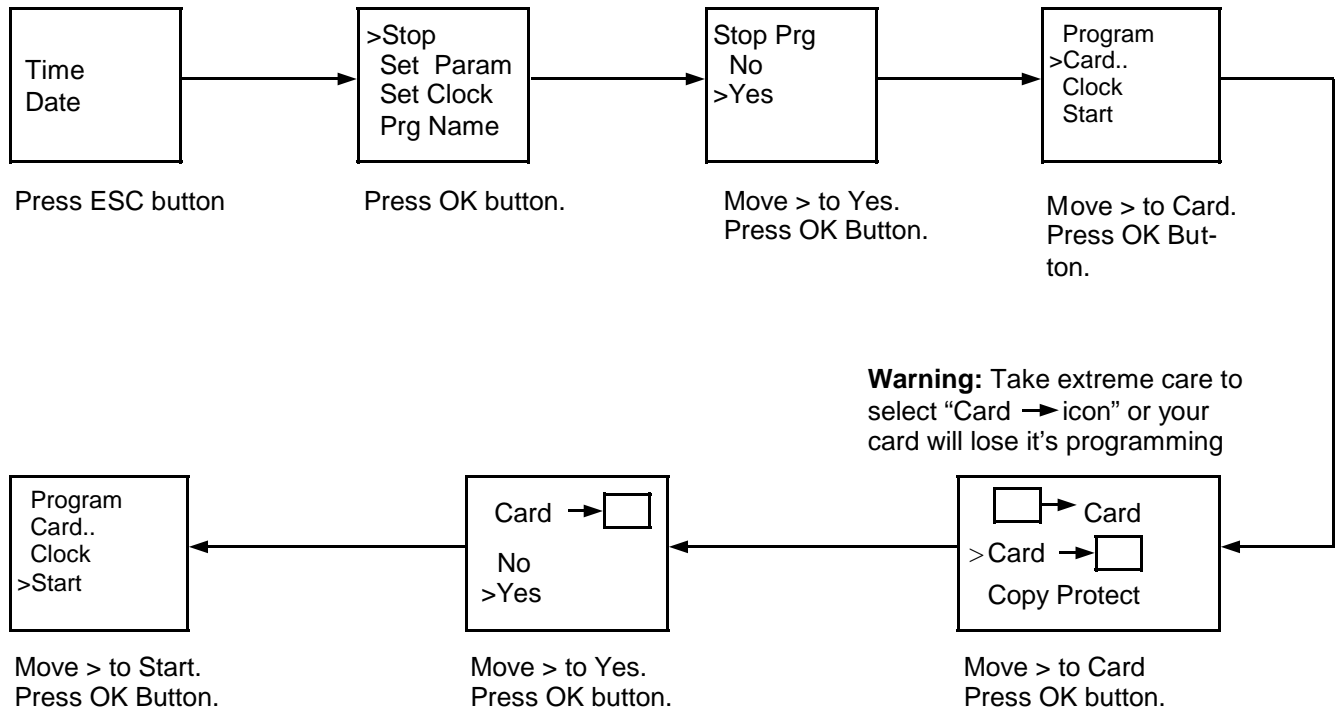


PLSC CIRCUIT FOR IMMERSION FIRED PRODUCTS

PROGRAMMING THE SIEMENS PLSC TIMER USING THE MEMORY CARD

The PLSC Timer for the Immersion fired products, if provided, will ship pre-programmed with PLSC timing sequence set at one minute. If the timer must be re-programmed for any reason then a memory card will be required. This can be provided by the factory. Using a small flat head screwdriver, remove the dust cover from the top right hand corner of the timer. Insert the memory card . Use the following instructions to re-program the timer:



If you experience any difficulties, please consult the factory.